



Flap Valves

Technical Data Sheet

Coplastix® flap valves are designed and manufactured for use in modern industrial and domestic effluent environments and for protected river and sea outfalls with gravity flows.

Utilisation of the latest synthetic material combined with the strength of stainless steel provides a range of flap valves having high strength and rigidity but which are very sensitive to small differential heads.

STANDARD SIZE RANGE

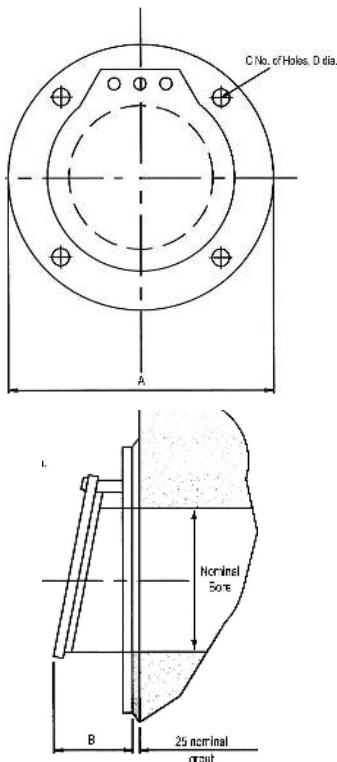
200mm to 600mm nominal bore.

PRESSURE RATING

Flap valves as manufactured above are suitable for static pressures up to 5 metres above invert and can be used in sewage, potable water, rivers, estuaries etc.

These flap valves are not suitable for locations subject to direct pumping duties with sudden maximum flow and shut-off characteristics.

CIRCULAR FLAP VALVE



MOUNTING

Standard fixing arrangements are:-

- a) Wall mounting.
- b) Flange fixing to BS EN 1092-2: 1997 PN 16 rated flanges.

Note: It is recommended that at least 300mm fall away is provided at the invert to prevent fouling of the bottom of the door.

MATERIAL SPECIFICATION

Frames and Doors

Manufactured from rigid plastic (pvc) with neoprene closed cell resilient seal fixed to door.

Hinge Lugs

Manufactured from rigid plastic (pvc) and bolted to both frame and door.

Hinge Pins

Manufactured from stainless steel to BS EN 10088: 1995 grade 1.4401 (316).

Fixing Bolts

Can be supplied on request.

Fasteners

Standard fasteners are supplied to BS EN 10088: 1995 grade 1.4401 (316).

NOMINAL BORE	A	B	FOR WALL MOUNTING				FOR PIPE MOUNTING			
			C	D	P.C.D	BOLT DIA	C	D	P.C.D	BOLT DIA
DIMENSIONS IN MILLIMETRES										
198	340	115	4	4	295	M16	6	6	295	M16
227	368	118	4	4	324	M16	4	18	324	M16
253	400	121	4	6	355	M16	6	18	355	M16
301	455	126	4	6	410	M20	6	18	410	M16
338	520	130	4	6	470	M20	8	22	470	M20
386	580	135	4	6	525	M20	8	22	525	M20
435	640	140	4	6	585	M20	8	22	585	M24
484	715	145	4	6	650	M20	8	22	650	M24
580	840	156	4	6	770	M24	8	26	770	M24